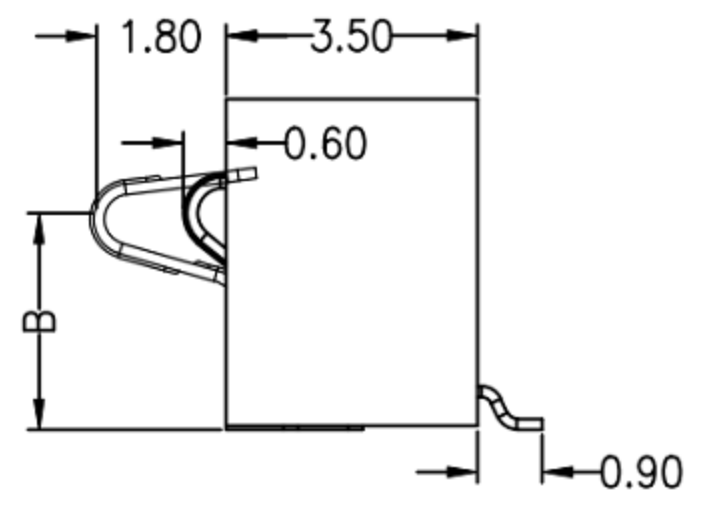
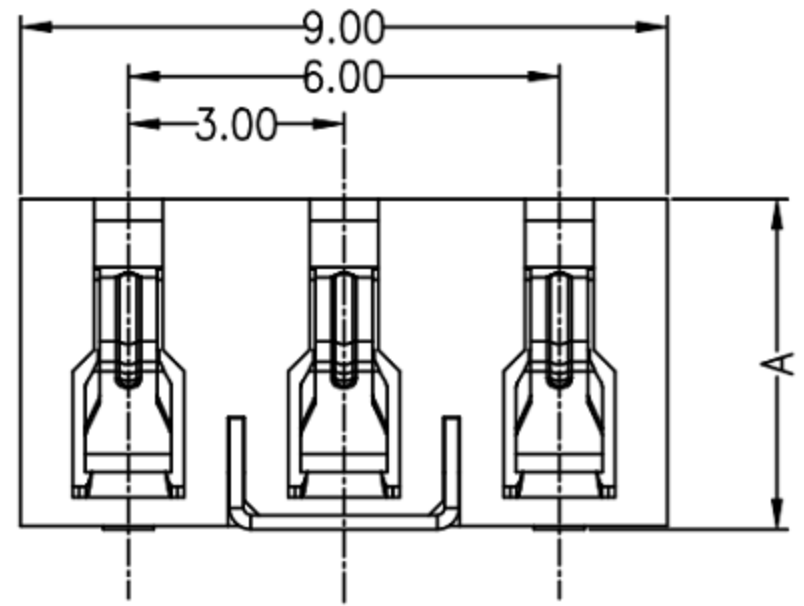
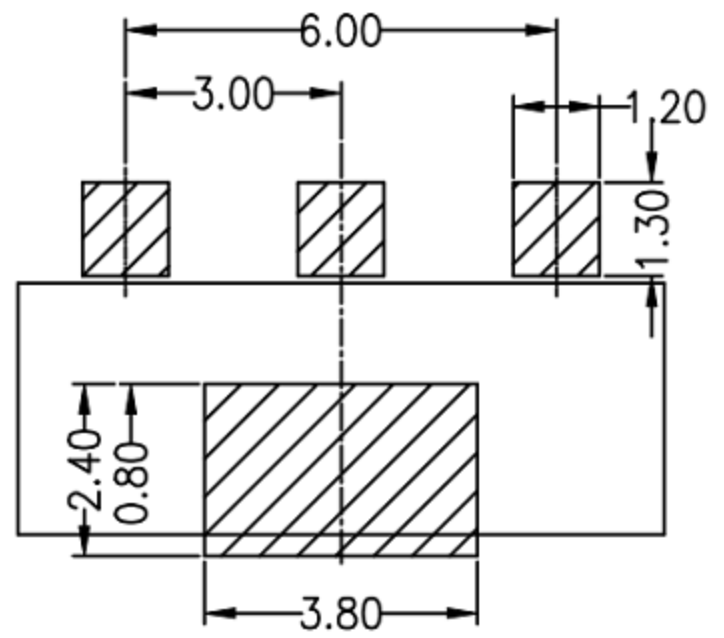
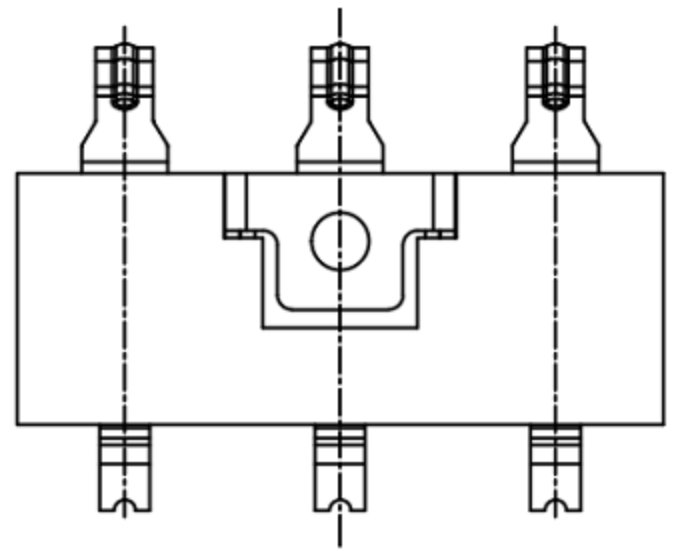


| | | | | |
|------|---------|-------------|--------|------------|
| REV. | ECN NO. | DESCRIPTION | DESIGN | DATE |
| A | | INITIAL | Kai | 2018.03.29 |



| A | B |
|------|------|
| 4.60 | 3.00 |
| 5.00 | 3.40 |
| 5.40 | 3.80 |
| 6.00 | 4.40 |
| 6.80 | 5.20 |
| 7.20 | 5.60 |



RECOMMENDED PCB LAYOUT
TOL:(±0.05)

性能:
 额定电流: 3.0A
 额定电压: 24V
 耐电压: 500V
 接触电阻: 30mΩ MAX
 绝缘电阻: 500MΩ
 工作温度: -40℃~+85℃
 塑件(材质): LCP, 耐高温260℃
 接触点(材质): 铜合金, 触点镀金3U'

UNLESS OTHERWISE SPECIFIED TOLERANCES

| | | | |
|-----------|-------|---------|------|
| DECIMALS: | | ANGLES: | |
| DIM | TOL | DIM | TOL |
| X. | ±0.50 | X. | ±2° |
| X.X | ±0.30 | X.X | ±1° |
| X.XX | ±0.20 | X.XX | ---- |
| X.XXX | ±0.10 | X.XXX | ---- |

东莞市高迪电子有限公司

| | |
|----------|------------|
| DWG NO. | PART NAME: |
| DESIGN: | PART NO. |
| CHECK: | REV. A |
| APPROVED | UNIT: mm |
| | SHEET: 1/1 |

| ITEM | PART NAME | Q'TY | MATERTAL | DESCRIPTION | REMARK |
|------|-----------|------|-----------------------|-------------|--------|
| ② | HOUSING | 1 | LCP | | BLACK |
| ① | CONTACT A | 2 | PHOSPHOR BRONZE 0.20T | Au PLATED | |